



HYDRAULIC PRESS BRAKE GUILLOTINE SHEAR



ALPMAC manufacture stronger frame and parts welding and milling from certified materials in-house, with own design.



Its extensive production facility is based in Bursa - Turkey. ALPMAC presents itself to its customers as a guarantor of functionality, process reliability, and cost effectiveness.

ALPMAC is committed to the task of providing highest quality, efficient procedures in manufacturing sheet metal products, and provides solutions for everyone who works with sheet metal. In joint elaboration with craftsman's businesses and manufacturing companies in the sheet metal industry, ideal solutions are found and provided for nearly



any problem occurring during manufacturing processes. We at ALPMAC are dedicated to provide optimized machinery of maximum economy and flexibility to our customers.

Our strength in innovation is within our in-house design and engineering capacity that goes along with a high degree of our broad range of manufacture. Starting with conveniently-equipped basic models, our machines can be extended for optimum results. Whether you require sector-standardized adaptations or custom solutions – with numerous options



of equipment components, we can fulfill nearly any of our customers' requests.

Reliability, stability, innovation and partnerships with customers, traders and suppliers are the basic values behind our corporate management style.

In addition to a comprehensive product program, we offer consultation services in which the company can make its decades of experience with sheet metal working machines useful to its customers.



By exclusively using highest-quality components, ALPMAC is internationally competitive and places emphasis on quality consciousness as a basic principle. The products of ALPMAC stand up to highest quality standards and conform to certifications of the CE Conformity, as well as to safety regulations of the European Union.

GENERAL SPECIFICATIONS

- Axes configurations, Model A press brake can configure 3 axes (Y1, Y2, X) and maximum 4 axes (Y1, Y2, X, R)
- Model A controller is standard numerically ESA625
- Delem DA-52'S, Delem DA-53T or 2D graphical based controller ESA830, CybelecTouch 8, Cybelec Touch 12 or Delem DA58T preferable optionally also.
- Frame steel constructions manufacturing certificated raw material has been designed according optimal and minimum deflections resistance criteria of design and analyses requirement
- Steel constructions productions by modern and advanced CNC machining center.
- Hydraulic cylinders, manufactured as precision from solid full material in ALPMAC facilities and made honed.
- Hydraulic pistons, manufactured from forged steel, hardened, grinding is done, and chrome-coated in ALPMAC facilities.
- Hydraulic block and valve made in Germany, originally, high level type for performance and stability.
- ALPMAC press brake have special hydraulic pump have high efficiency condition of low and high pressure range
- Low electricity consumptions concept with special hydraulic design and components
- Automatically reference
- Pressing force tonnage automatically calculated according material thickness, tools and checking tools damage and machine safety
- Stroke adjustment, retract features automatically
- Programmable bending fast down and return speed with slow up functions
- Save and recall bending programs, and searching different criteria tools material
- 2 working mode, full automatically and manual
- C frame shape linear scale holders for body deflections compensations, and protected cross working
- Overload alarm system electronically
- Hydraulic maximum limit protect system with safety valve group
- Calculations unfolded length, automatically and programmable bend order features, according to the material thickness, type, tools features
- WILA type manual or motorized crowning systems with opposing wave optionally

CONTROLLER



Cybelec Touch 8
Screen 8" Manual Bend
Order Calculations 4 Axes
Standard



Cybelec Touch 12
2D Graphic Touch Screen
12" Automatic Bend Order
Calculations 4 Axes
Optional



Esa 830
10" Colored 2D Graphical
Offline Software
Optional



Delem DA-52s
6.4" TFT Numerical
Optional



Delem-53T
2D Graphic Touch Screen
Windows 10"
Graphical User Interface
Optional



Model A STANDARD CONFIGURATIONS

- 3 axes: Y1, Y2, X + (R manual) axis
- Stroke 160 mm up to 210mm
- Throat 250 mm
- CNC controller Cybelec Touch 8
- Offline software
- Quick clamping promecam type top tool system
- Special high efficiency pump for low electrical consumption
- Original Hoerbiger or Bosch Rexroth complete sealed up hydraulic systems Germany produced with CE norms compatible
- Schneider- Siemens etc. electrical components, with ventilations electrical cabinet
- Stand type multi-functions control panel and foot pedal with CE norms compatible
- Accurate, high accuracy, +- 0,005 mm linear scale
- Heavy duty robust, cnc controlled back gauge guided with ball shaft and slide
- Sliding front support arm system for support bending
- Precision +-0,03mm servo motorised, Backgauge system with driver
- X axis stroke 750 mm
- Back gauge speed 350mm /second
- Movable back gauge fingers along of bending length by manually
- Protect covers at the side
- Top tool clamping Promecam system
- Top tools hardened, grinded standard 835mm lengths, 66,6mm (1260)-105mm (1281) (400 ton and over) high
- Bottom tools hardened, grinded standard 835 mm lengths, 60x60mm, 4 channels 16/22/35/50 mm (2067)
- Narrow table or wide table with T slot
- CE conformity light guard rear of press category 4
- Complete electrical switch board and control panel for 400V AC 3 phase 50Hz

OPTIONAL EQUIPMENTS

- Delem DA52's or Delem 53T CNC numerical control unit
- ESA630, 2D graphical colored CNC control unit (automatic search bend order, optimizations collision check), 7 inch, LCD, graphical colored
- Cybelec Touch 8, 2D Graphic Touch Screen 8" manual bend order calculations 4 axes with offline software PC1200
- Cybelec Touch 12, 2D Graphic Touch Screen 12" automatic bend order calculations 4 axes with offline software PC1200
- Delem DA-58T - 2D Graphical CNC control unit with offline software profile TL
- WILA typ 'opposing wave' manual Crowning (Anti-deflections) System
- WILA typ 'opposing wave' motorized crowning (anti-deflections) system
- X+R 2 axis back gauge
- Longer X axis range (stroke) 1000mm
- DFS laser beams finger protections in front NON CE
- CE conformity with AKAS Laser finger protections manual and safety PLC
- CE conformity with AKAS Laser finger protections motorized and safety PLC
- CE Conformity with DSP finger protections manual and safety PLC
- Light barriers in front (for tandem applications)
- Additional extra back gauge fingers
- Additional extra front support arms
- WILA type hydraulic or mechanic top tool clamping system
- WILA type hydraulic or mechanic bottom tool clamping system
- Hydraulic Promecam type top tool clamping system
- American type compatible top tool clamping system
- Special stroke, special throat according requirements
- Extra control panel foot pedal
- T slot on table
- Heat exchanger (oil cooler) by air or by chiller
- Oil heating unit
- Special Color
- ROL1 or ROL2- ROL4 top tool clamping systems
- 220-240V 60hz operating voltage
- 440-480V 60hz operating voltage
- 220-240V 60Hz and 440V-480V 60 Hz double operating voltage (by preliminary preparation)

ALPMAC Press Brake Model A	Bending Power Force	Bending Length	Distance Between Coulmnn	Stroke	Daylight	Throat	Table Height	Backgauge Speed	Backgauge Stroke		Lenght	Widht	Height	Crowning		Rapid Approach Sppeed	Pressing Speed	Return Speed	Hydraulic Tank	Main Motor	Weight Approx.		
	ton.	A	B	C	D	E	F	X Axis	X Axis	R Axis	L	W	H	H1	W1	Manual	Motorized	mm/sec	mm/sec	mm/sec	Lt	kW.	kg
		mm.	mm.	mm.	mm.	mm.	mm.	mm/sec	mm.	mm.	mm.	mm.	mm.	mm.	mm.								
A40-1300	40	1300	1100	160	375	250	850	500	750	250	2200	1300	2350	2400	2100	Optional	Optional	180	10	120	120	5.5	3750
A60-2100	60	2100	1600	160	375	250	900	500	750	250	3050	1450	2400	2600	2350	Optional	Optional	190	10	120	140	7.5	4850
A60-2600	60	2600	2200	160	375	250	900	500	750	250	3250	1450	2470	2570	2350	Optional	Optional	190	10	120	140	7.5	5800
A100-2600	100	2600	2200	160	375	250	900	500	750	250	3250	1450	2450	2550	2350	Optional	Optional	180	10	130	230	11	6600
A100-3100	100	3100	2600	160	375	250	900	500	750	250	4050	1450	2450	2550	2350	Optional	Optional	180	10	130	230	11	7500
A135-3100	135	3100	2600	180	395	250	900	500	750	250	4050	1500	2600	2700	2350	Optional	Optional	160	10	130	230	15	8000
A175-3100	175	3100	2600	180	395	250	900	500	750	250	4080	1500	2650	2770	2350	Optional	Optional	160	9	120	230	18.5	9500
A220-3100	220	3100	2600	210	425	250	900	500	750	250	4080	1500	2700	2820	2350	Optional	Optional	150	9	140	230	22	11000
A270-3100	270	3100	2600	210	425	250	900	500	750	250	4100	1550	2850	2850	2400	Optional	Optional	140	9	120	230	22	12000
A320-3100	320	3100	2600	210	425	250	920	500	750	250	4100	1600	2850	2850	2400	Optional	Optional	140	8	130	350	30	14300
A135-3700	135	3700	3200	180	395	250	900	500	750	250	4750	1650	2700	2800	2500	Optional	Optional	170	9	130	230	15	9000
A175-3700	175	3700	3200	180	395	250	900	500	750	250	4750	1650	2720	2850	2600	Optional	Optional	170	9	120	230	18.5	10800
A220-3700	220	3700	3200	210	425	250	900	500	750	250	4750	1700	2750	2850	2650	Optional	Optional	160	9	140	230	22	12500
A320-3700	320	3700	3200	210	425	250	950	500	750	250	4750	1700	2850	2950	2750	Optional	Optional	150	8	130	350	30	15250
A135-4100	135	4100	3600	210	425	250	900	500	750	250	5100	1600	2720	2900	2400	Optional	Optional	170	9	130	230	15	10000
A175-4100	175	4100	3600	210	425	250	950	500	750	250	5100	1600	2720	2900	2400	Optional	Optional	170	9	120	230	18.5	12000
A220-4100	220	4100	3600	210	425	250	950	500	750	250	5100	1650	2750	2930	2400	Optional	Optional	160	9	140	230	22	13500
A270-4100	270	4100	3600	210	425	250	950	500	750	250	5100	1700	2800	2920	2450	Optional	Optional	150	9	120	230	22	14500
A320-4100	320	4100	3600	210	425	250	970	500	750	250	5150	1750	2850	2970	2450	Optional	Optional	150	8	130	350	30	16500

Design and Technical specifications are subject to change without notice

Special capacity machines can be manufactured upon request

GENERAL SPECIFICATIONS

- Axes configurations, Model B press brake can configure 3 axes (Y1, Y2, X) and maximum 4 axes (Y1, Y2, X+R) or 6 axes (Y1, Y2, X+R, Z1+Z2)
- Model B controller is standard graphically 2D Cybelec Touch8 or ESA 830-2D,
- Frame steel constructions manufacturing certificated raw material has been designed according optimal and minimum deflections resistance criteria of design and analyses requirement
- Steel constructions productions by modern and advanced CNC machining center.
- Hydraulic cylinders, manufactured as precision from solid full material in ALPMAC facilities and made honed.
- Hydraulic pistons, manufactured from forged steel, hardened, grinding is done, and chrome-coated in ALPMAC facilities.
- Hydraulic block and valve made in Germany, originally, high level type for performance and stability.
- ALPMAC press brake have special hydraulic pump have high efficiency condition of low and high pressure range
- Low electricity consumptions concept with special hydraulic design and components
- Automatically reference
- Pressing force tonnage automatically calculated according material thickness, tools and checking tools damage and machine safety
- Stroke adjustment, retract features automatically
- Programmable bending fast down and return speed with slow up functions
- Save and recall bending programs, and searching different criteria tools material
- 2 working mode, full automatically and manual
- C frame shape linear scale holders for body deflections compensations, and protected cross working
- Overload alarm system electronically
- Hydraulic maximum limit protect system with safety valve group
- Calculations unfolded length, automatically and programmable bend order features, according to the material thickness, material type, tools features
- WILA typ manual or motorized crowning systems with opposing wave optionally

CONTROLLER



Cybelec Touch 8
2D Graphical Touch
Screen 8" Manual Bend
Order Calculations 4 Axes
Offline Software
Standard



Cybelec Touch 12
2D Graphic Touch Screen
12" Automatic Bend Order
Calculations 4 Axes
Optional



Cybelec 15T
2D Graphic Touch Screen
15" Automatic Bend
Order Calculations
Optional



ESA830
10" Colored 2D Graphical
Offline Software
Standard



ESA840
Windows 15" 2D Graphical
Offline Software
Optional



Delem-53T
2D Graphic Touch Screen
Windows 10"
Graphical User Interface
Optional



Delem DA-58T
Windows 15" Touch
Automatic Bend order
Colored 2D Graphical
Offline Software
Optional



Step Rock Dual 22-3D
22" Screen
With Offline Soft Plus
DXF import 3D
Optional



Standard Cover

Model B STANDARD CONFIGURATIONS

- 3 axes: Y1, Y2, X axis
- High stroke 260 mm
- Large throat 400 mm
- CNC controller ESA630 or Cybelec Touch 8
- Offline software
- Special high efficiency pump for low electrical consumption
- Original Hoerbiger Bosch Rexroth Complete sealed up hydraulic systems Germany
- produced with CE norms compatible
- Schneider- Siemens etc. electrical components, with ventilations electrical cabinet
- Stand type multi-functions control panel and foot pedal with CE norms compatible
- Accurate, high accuracy, +/- 0,005 mm Heidenhein or Givi optic linear scale
- (Up to) 120 mm/second upper beam approach speed
- (Up to) 120mm /second upper beam return speed
- Heavy duty robust, cnc controlled back gauge guided with ball shaft and slide
- Sliding front support arm system for support bending
- Heavy duty rigid, cnc controlled back gauge
- Precision +/- 0,03mm servo motorized, back gauge system with driver
- X axis stroke 750 mm
- Back gauge speed 350mm /second
- Movable back gauge fingers along of bending length by manually
- Protect covers at the side
- Top tool clamping Promecam system
- Top tools hardened, grinded standard 835mm lengths, 66,6mm P9785 (1260)-105mm PS13585 (1281) (400 ton and over) high
- Bottom tools hardened, grinded standard 835 mm lengths, 60x60mm, 4 channels 16/22/35/50 mm M460R (2067)
- Narrow table or wide table with T slot
- CE conformity light guard rear of press category 4
- Complete electrical switch board and control panel for 400V AC 3 phase 50Hz

Back Gauge



Heavy Duty Rigid Servo Driven Single Axes X (R Manual)

Standard



Heavy Duty Rigid Servo Driven 2 Axes X + R Back Gauge

Optional



Heavy Duty Rigid Servo Driven 4 Axes X+R+Z1+Z2 Back Gauge

Optional

Crowning (Anti-Deglections) System



WILA TYP 'Opposing wave' Manual Crowning System

Optional



WILA TYP 'Opposing wave' Motorized Crowning System

Optional

Rear Side Safety



Rear Side Protection Cover

Optional



Rear Light Guard Category 4

Standard

OPTIONAL EQUIPMENTS

- Cybelec Touch 12, 2D Graphic Touch Screen 12" automatic bend order calculations 4 axes
- Cybelec 15T, 2D Graphic Touch Screen 15" Automatic Bend Order Calculations
- Delem 53T or Delem 58T 2D graphical colored CNC control unit (automatic search bend order optimizations collision check)
- ESA 640 or ESA660 – 2D – Graphical CNC Controllers
- WILA typ 'opposing wave' manual crowning (anti-deflections) system
- WILA typ 'opposing wave' motorized crowning (anti-deflections) system
- X+R 2 axis back gauge
- Longer X axis stroke 1000mm
- CE conformity with AKAS Laser finger protections manual and safety PLC
- CE conformity with AKAS Laser finger protections Motorized and safety PLC
- CE Conformity with DSP finger protections manual and safety PLC
- DFS Laser beams finger protections in front Non CE
- Light barriers in front (for tandem applications)
- Additional extra back gauge fingers
- Additional extra front support arms
- WILA type hydraulic or mechanic top tool clamping system
- WILA type hydraulic or mechanic bottom tool clamping system
- Hydraulic Promecam type top tool clamping system
- American type compatible top tool clamping system
- Longer stroke and throat 500mm throat and 300mm stroke
- Special stroke, special throat according requirements
- Extra control panel foot pedal
- T slot on table
- Heat exchanger (oil cooler) by air or by chiller
- Oil heating unit
- Special color
- ROL1 or ROL2- ROL4 top tool clamping systems
- 220-240V 60hz operating voltage
- 440-480V 60hz operating voltage
- 220-240V 60Hz and 440V-480V 60 Hz double operating voltage (by preliminary
- Green Collection for energy saving

Back Gauge



Manual Akas Laser (CE)

Optional



Motorized Akas Laser (CE)

Optional



DSP Laser (CE)

Optional



AP3 + AP4 Axis Sheet Follower System

Optional



Pneumatic Clamping

Optional

Other Equipments



Bottom and Top Tools

Standard



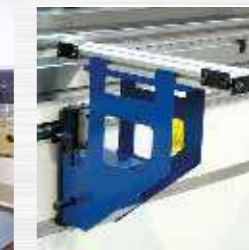
WILA Tool Clamping System

Optional



Hydraulic Clamping

Optional



Adjustable Sliding Front Support Arms

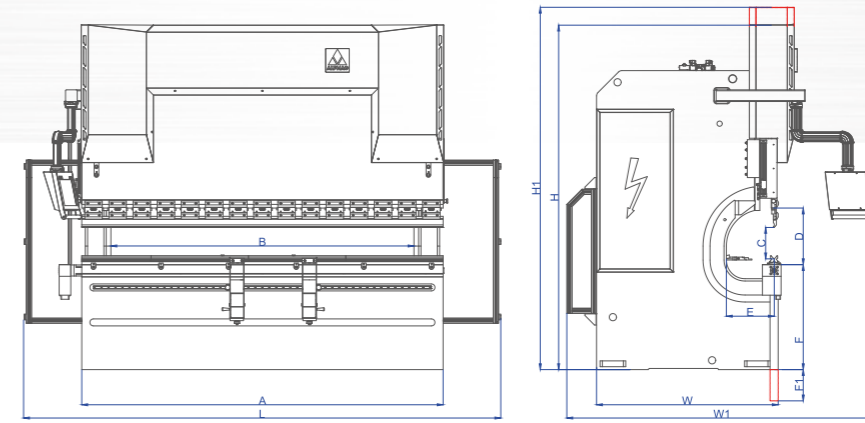
Standard



Tool Cabinets

Optional

Model B TECHNICAL FEATURES



ALPAC Press Brake Model B	Bending Power Force	Bending Length	Distance Between Coulmnn	Stroke	Daylight	Throat	Table Height	Table Height Bellow Ground	Backgauge Speed	Backgauge Stroke		Lenght	Widht	Height			Crowning		Rapid Approach Spded	Pressing Speed	Return Speed	Hydraulic Tank	Main Motor	Weight
	ton.	A	B	C	D	E	F	F1	X Axis	X Axis	R Axis	L	W	H	H1	W1	Manual	Motorized	mm/sec	mm/sec	mm/sec	Lt	kW.	kg
		mm.	mm.	mm.	mm.	mm.	mm.	mm.	mm.	mm/sec	mm.	mm.	mm.	mm.	mm.	mm.								
B40-1300	40	1300	1100	210	425	310	850	xx	500	750	250	2300	1450	2450	2670	2500	Optional	Optional	180	10	120	120	5.5	4000
B60-2100	60	2100	1600	210	425	310	900	xx	500	750	250	3100	1450	2520	2670	2500	Optional	Optional	190	10	120	140	7.5	5400
B60-2600	60	2600	2200	210	425	310	900	xx	500	750	250	3500	1450	2550	2680	2500	Optional	Optional	190	10	120	140	7.5	6000
B100-2600	100	2600	2200	265	480	410	900	xx	500	750	250	3550	1550	2680	2700	2500	Optional	Optional	180	10	130	230	11	7200
B100-3100	100	3100	2600	265	480	410	900	xx	500	750	250	4050	1550	2700	2850	2550	Optional	Optional	180	10	130	230	11	8000
B135-3100	135	3100	2600	265	480	410	900	xx	500	750	250	4050	1550	2750	2950	2550	Optional	Optional	160	10	130	230	15	9000
B175-3100	175	3100	2600	265	480	410	900	xx	500	750	250	4100	1550	2820	3000	2550	Optional	Optional	160	9	120	230	18.5	10500
B220-3100	220	3100	2600	265	480	410	900	xx	500	750	250	4100	1600	2850	3050	2600	Optional	Optional	150	9	140	230	22	12000
B270-3100	270	3100	2600	265	480	410	900	xx	500	750	250	4100	1700	2850	3050	2600	Optional	Optional	140	9	120	230	22	14000
B320-3100	320	3100	2600	265	480	410	920	xx	500	750	250	4100	1900	3000	3100	2750	Optional	Optional	140	8	130	350	30	15600
B135-3700	135	3700	3100	265	480	410	900	xx	500	750	250	5000	1700	2850	3000	2800	Optional	Optional	160	10	130	230	15	10700
B175-3700	175	3700	3100	265	480	410	900	xx	500	750	250	5000	1700	2850	3050	2800	Optional	Optional	160	9	120	230	18.5	11700
B220-3700	220	3700	3100	265	480	410	900	xx	500	750	250	5000	1850	2850	3050	2800	Optional	Optional	150	9	140	230	22	14000
B320-3700	320	3700	3100	265	480	410	950	xx	500	750	250	5000	1900	3000	3200	2900	Optional	Optional	150	8	130	350	30	17000
B135-4100	135	4100	3600	265	480	410	900	xx	500	750	250	5300	1700	2820	3000	2800	Optional	Optional	160	10	130	230	15	11000
B175-4100	175	4100	3600	265	480	410	950	xx	500	750	250	5300	1700	2820	3000	2800	Optional	Optional	160	9	120	230	18.5	13000
B220-4100	220	4100	3600	265	480	410	950	xx	500	750	250	5300	1700	2900	3070	2800	Optional	Optional	150	9	140	230	22	14400
B270-4100	270	4100	3600	265	480	410	950	xx	500	750	250	5300	1800	2900	3100	2800	Optional	Optional	140	9	120	230	22	16300
B320-4100	320	4100	3600	265	480	410	970	xx	500	750	250	5300	1900	3000	3150	2900	Optional	Optional	150	9	130	350	30	18500
B400-4100	400	4100	3400	310	525	510	1050	xx	500	750	250	5800	2000	3200	3350	2950	-	Optional	140	8	120	350	37	23000
B500-4100	500	4100	3400	310	525	510	850	685	500	750	250	5850	2200	3400	3550	2950	-	Optional	120	8	120	500	45	26500
B220-4300	220	4300	3700	265	480	410	950	XX	500	750	250	5500	1700	2900	3070	2800	Optional	Optional	150	10	130	230	22	15000
B270-4300	270	4300	3700	265	480	410	950	XX	500	750	250	5500	1800	2900	3100	2800	Optional	Optional	150	10	130	230	22	16800
B320-4300	320	4300	3700	265	480	410	970	XX	500	750	250	5500	1900	3000	3150	2900	Optional	Optional	150	9	130	350	30	19300
B220-5100	220	5100	4100	265	480	410	970	XX	500	750	250	6600	1700	3050	3220	2800	Optional	Optional	140	10	120	350	22	19000
B270-5100	270	5100	4100	265	480	410	970	XX	500	750	250	6600	1800	3050	3250	2800	Optional	Optional	140	10	120	350	22	21000
B320-5100	320	5100	4100	265	480	410	1000	XX	500	750	250	6600	1900	3150	3300	2900	Optional	Optional	140	9	120	350	30	24000
B400-5100	400	5100	4100	310	525	510	1050	XX	500	750	250	6600	2000	3350	3500	2950	-	Optional	130	8	100	400	37	27000
B220-6100	220	6100	5100	265	480	410	1050	xx	500	750	250	7500	1800	3200	3400	2800	Optional	Optional	150	10	120	400	22	24000
B320-6100	320	6100	5100	265	480	410	1100	xx	500	750	250	7500	1900	3200	3500	2800	-	Optional	150	9	120	400	30	27000
B400-6100	400	6100	5100	310	525	510	1150	xx	500	750	250	7500	2000	3650	3900	2950	-	Optional	120	8.5	100	400	37	35000
B500-6100	500	6100	5100	310	525	510	900	xx	500	750	250	7500	2150	3700	3850	3000	-	Optional	120	8	110	550	37	42000
B600-6100	600	6100	5100	360	575	600	900	1450	500	750	250	7500	2300	3800	4000	3000	-	Optional	80	7	80	550	45	52000
B800-6100	800	6100	5100	410	625	600	900	1500	500	750	250	7700	2500	4000	4200	3300	-	Optional	70	7	70	650	55	68000
B1000-6100	1000	6100	5100	510	725	600	900	1700	500	750	250	7700	2600	4750	5000	3500	-	Optional	65	7	70	1000	55	94000

Design and Technical specifications are subject to change without notice

Special capacity machines can be manufactured upon request

Model C

**300 MM STROKE
500 MM THROAT STANDARD
BIGGER, FLEXIBLE AND
POWER FULL HIGH LEVEL**

GENERAL SPECIFICATIONS

- Axes configurations, Model C press brake can configure 4 axes (Y1, Y2, X,R) and maximum 12 axes (Y1, Y2, X1, X2, R1, R2, Z1, Z2, AP3, AP4...)
- Model C, standart WILA type manual crowning systems with opposing wave.
- Model C controller is standard 2D/3D colored graphical big screen standard Cybelec 15T, Delem 58T or ESA875 3D CNC
- Automatically calculations unfolded length, automatically and programmable bend order features, according to the material thickness, material type, tools features standard. 2D/3D graphical color controller provided optimizations of automatically search bend order with collisions check for bending parts
- Frame steel constructions manufacturing certificated raw material has been designed according optimal and minimum deflections resistance criteria of design and analyses requirement
- Steel constructions productions by modern and advanced CNC machining center.
- Hydraulic cylinders, manufactured as precision from solid full material in ALPMAC facilities and made honed.
- Hydraulic pistons, manufactured from forged steel, hardened, grinding is done, and chrome-coated in ALPMAC facilities.
- Hydraulic block and valve made in Germany, originally, high level type for performance and stability.
- ALPMAC press brake have special hydraulic pump have high efficiency condition of low and high pressure range
- Low electricity consumptions concept with special hydraulic design and components
- Automatically reference
- Pressing force tonnage automatically calculated according material thickness, tools and checking tools damage and machine safety
- Stroke adjustment, retract features automatically
- Programmable bending fast down and return speed with slow up functions
- Save and recall bending programs, and searching different criteria tools material
- 2 working mode, full automatically and manual
- C frame shape linear scale holders for body deflections compensations, and protected cross working
- Overload alarm system electronically
- Hydraulic maximum limit protect system with safety valve group
- Calculations unfolded length, automatically and programmable bend order features, according to the material thickness, material type, tools features

CONTROLLER

4
Axes



Delem DA-58T
Windows 15" Touch
Automatic Bend order
Colored 2D Graphical
Offline Software
Standard



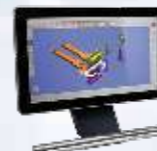
Delem 66 Touch
With Offline Soft Plus
Windows 17" 3D
Optional



Delem 69 Touch
Windows 17"
With Offline Soft Plus
DXF import 3D
Optional



ESA860
Windows 19" 2D Graphical
Offline Software
Standard



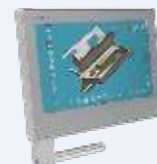
ESA875
Windows 19" 3D Graphical
Offline Software
Optional



Cybelec 15T
2D Graphic Touch Screen
15" Automatic Bend
Order Calculations
Standard



VisiTouch-19
Windows 19" 2D Graphical
Offline Software
Optional



VisiTouch-19 MX
Windows 19" 3D
Offline Software
DXF 3D format import
Optional



Optional – Full Cover

Model C STANDARD CONFIGURATIONS

- 4 axes: Y1, Y2, X, R Axis
- High exceptional, high stroke 310 mm
- Big exceptional, big throat 510 mm
- Delem 58T CNC control unit (touch screen visualizations for machine, parts, tools, back gauge) with offline software profile TL, max. 4 axes
- ESA 875 3D colored graphical CNC control unit (19 inch TFT Windows) with offline software
- CybeleC 15T, 2D Graphic Touch Screen 15" Automatic Bend Order Calculations
- WILA typ 'opposing wave' manual crowning (anti-deflections) system
- Special high efficiency pump for low electrical consumption
- Original Hoerbiger Bosch Rexroth Complete
- sealed up Hydraulic Systems Germany produced with CE norms compatible
- Schneider- Siemens etc. electrical components, with ventilations electrical cabinet
- Stand type multi-functions control panel and foot pedal with CE norms compatible
- Accurate, high accuracy, +/- 0,005 mm optic linear scale
- (Up to) 120 mm/second upper beam approach speed
- (Up to) 120mm /second upper beam return speed
- Sliding front support arm system for support bending
- Heavy duty rigid, cnc controlled back gauge
- Precision servo motorized, back gauge system with driver
- X axis stroke 750 mm
- Movable back gauge fingers along of bending length by manually
- Protect covers at the side
- Top tool clamping Promecam system
- Top tools hardened, grinded standard 835mm lengths, 66,6mm (1260)-105mm (1281) (400 ton and over) high
- Bottom tools hardened, grinded standard 835 mm lengths, 60x60mm, 4 channels 16/22/35/50 mm (2067)
- Narrow table or wide table with T slot
- CE conformity light guard rear of press category 4
- Complete electrical switch board and

Back Gauge



Heavy Duty Rigid Servo Driven
2 Axes X + R Back Gauge

Standard



Heavy Duty Rigid Servo Driven
5 Axes X+X5+R+Z1+Z2 Back Gauge

Optional



Heavy Duty Rigid Servo Driven 6 Axis
X1+X2+R1+R2+Z1+Z2 Tower Typ Back Gauge

Optional

Crowning (Anti-Deglections) System



WILA TYP 'Opposing
wave' Manual Crowning
System

Standard



WILA TYP 'Opposing
wave' Motorized
Crowning System

Optional



Vertical Manual Clamp
TEDA

Optional



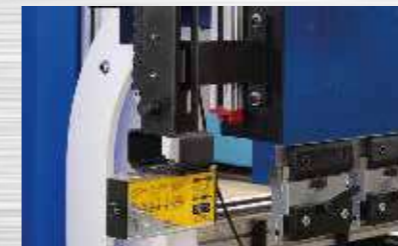
Vertical Manual Clamp
TEDA

Optional

OPTIONAL EQUIPMENTS

- Delem 66T 2D graphical touch screen, Delem 69T, 3D colored graphical touch screen CNC control unit with Profile T3D and DXF imports package
- VisiTouch 19, Windows 19" 3D, software package (DXF) - DXF 3D format import
- WILA typ 'opposing wave' motorized crowning (anti-deflections) system
- X, R, Z1+Z2 4 axis back gauge
- X1+X2, R, Z1+Z2 5 axis back gauge
- X1+X2, R1+R2, Z1+Z2 6 axis back gauge
- X5 axis adaptive
- Longer X axis stroke 1000mm
- CE conformity with AKAS Laser finger protections manual and safety PLC
- CE conformity with AKAS Laser finger protections motorized and safety PLC
- CE conformity with DSP Laser finger protections manual and safety PLC
- DFS Laser beams finger protections in front non CE
- Light barriers in front (for tandem applications)
- Additional extra back gauge fingers
- Additional extra front support arms
- WILA type hydraulic or mechanic top tool clamping system
- WILA type hydraulic or mechanic bottom tool clamping system
- Hydraulic Promecam type top tool clamping system
- American type compatible top tool clamping system
- AP3+AP4 axis front sheet support follower CNC controlled
- T slot on table
- Heat exchanger (oil cooler)
- Oil heating unit
- Special color
- Extra back gauge fingers
- Extra front support arms
- Extra control panel foot pedal
- ROL1 or ROL200- ROL4 top tool clamping systems
- Special stroke, special throat
- 220-240V 60hz operating voltage
- 440-480V 60hz operating voltage
- 220-240V 60Hz and 440V-480V 60 Hz double operating voltage (by preliminary preparation)
- Green Collection for energy saving

Safety and Equipments



Manual Akas Laser (CE)

Optional



DSP Laser (CE)

Optional



Optical Angle Measurement

Optional

Crowning (Anti-Deglections) System



WILA TYP 'Opposing
wave' Manual Crowning
System

Standard



WILA TYP 'Opposing
wave' Motorized
Crowning System

Optional



Vertical Manual Clamp
TEDA

Optional



Vertical Manual Clamp
TEDA

Optional

Other Equipments



Bottom and
Top Tools

Standard



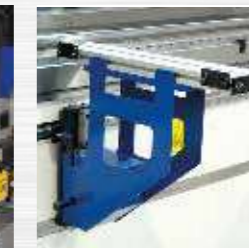
Wila - US Adaptor

Optional



Special Throat

Optional



Adjustable Sliding
Front Support Arms

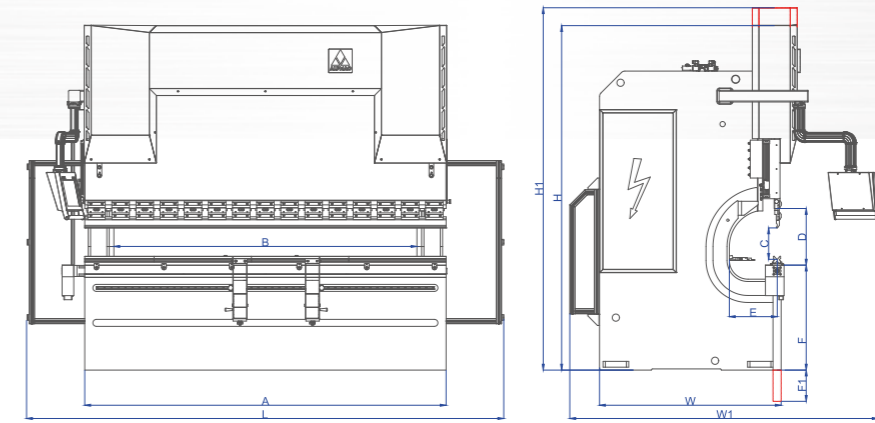
Standard



Green Collection
By Inverter Technology

Optional

Model C
TECHNICAL FEATURES



ALPMAC Model C	Bending Power Force	Bending Length	Distance Between Column	Stroke	Daylight	Throat	Table Height	Table Height Bellow Ground	Backgauge Speed	Backgauge Stroke		Lenght	Widht	Height			Crowning		Rapid Approach Speed		Pressing Speed	Return Speed		Hydraulic Tank	Main Motor	Weight
	ton.	A	B	C	D	E	F	FI	X Axis	X Axis	R Axis	L	W	H	HI	WI	Manual	Motorized	Standart	Optional	mm/sec	Standart	Optional	Lt	kW.	kg
		mm.	mm.	mm.	mm.	mm.	mm.	mm.	mm.	mm/sec	mm.	mm.	mm.	mm.	mm.	mm.	-	-	mm/sec	mm/sec		mm/sec	mm/sec			
C40-1300	40	1300	1100	265	480	410	850	xx	500	750	250	2300	1550	2600	2800	2600	-	-	180	-	10	120	-	95	5,5	4400
C60-2100	60	2100	1600	265	480	410	900	xx	500	750	250	3200	1550	2750	2950	2600	-	-	190	-	10	120	-	110	7,5	6000
C60-2600	60	2600	2200	265	480	410	900	xx	500	750	250	3800	1550	2750	2950	2600	Standart	Optional	190	-	10	120	-	110	7,5	6500
C100-2600	100	2600	2200	310	525	510	900	xx	500	750	250	3800	1650	2900	2900	2800	Standart	Optional	180	-	10	130	180	110	11	7950
C100-3100	100	3100	2600	310	525	510	900	xx	500	750	250	4300	1750	2900	2900	2900	Standart	Optional	180	-	10	130	180	180	11	8600
C135-3100	135	3100	2600	310	525	510	900	xx	500	750	250	4300	1750	2930	2930	2900	Standart	Optional	160	200	10	130	180	180	15	9800
C175-3100	175	3100	2600	310	525	510	900	xx	500	750	250	4300	1750	2950	2950	2900	Standart	Optional	160	200	9	120	160	180	18,5	11500
C220-3100	220	3100	2600	310	525	510	900	xx	500	750	250	4300	1850	2980	2980	2900	Standart	Optional	150	190	9	140	170	290	22	13000
C270-3100	270	3100	2600	310	525	510	900	xx	500	750	250	4300	1850	2990	2990	2900	Standart	Optional	140	180	9	120	160	290	22	15200
C320-3100	320	3100	2600	310	525	510	900	xx	500	750	250	4350	1950	3010	3050	3000	Standart	Optional	140	180	8	130	170	290	30	16500
C135-3700	135	3700	3100	310	525	510	900	xx	500	750	250	5000	1800	2930	2980	2900	Standart	Optional	160	190	10	130	170	180	15	11700
C175-3700	175	3700	3100	310	525	510	900	xx	500	750	250	5000	1800	2950	2990	2900	Standart	Optional	160	190	9	120	160	180	18,5	12700
C220-3700	220	3700	3100	310	525	510	900	xx	500	750	250	5000	1800	3000	3000	2900	Standart	Optional	150	190	9	140	170	290	22	15200
C320-3700	320	3700	3100	310	525	510	950	xx	500	750	250	5000	2000	3150	3250	2900	Standart	Optional	150	180	8	130	160	290	30	18200
C135-4100	135	4100	3600	310	525	510	900	xx	500	750	250	5300	1850	2950	3000	2800	Standart	Optional	160	190	10	130	160	180	15	12000
C175-4100	175	4100	3600	310	525	510	950	xx	500	750	250	5300	1850	2950	3000	2800	Standart	Optional	160	190	9	120	150	180	18,5	14000
C220-4100	220	4100	3600	310	525	510	950	xx	500	750	250	5300	1850	2950	3000	2800	Standart	Optional	150	180	9	140	170	290	22	16300
C270-4100	270	4100	3600	310	525	510	950	xx	500	750	250	5300	1850	3020	3020	2800	Standart	Optional	140	180	9	120	160	290	22	17500
C320-4100	320	4100	3600	310	525	510	970	xx	500	750	250	5300	1950	3150	3150	3100	Standart	Optional	150	180	9	130	170	290	30	19700
C400-4100	400	4100	3400	310	525	510	1050	xx	500	750	250	5850	2200	3250	3350	3200	-	Standart	140	170	8	120	160	370	37	25300
C500-4100	500	4100	3400	310	525	510	850	685	500	750	250	5850	2300	3400	3500	3300	-	Standart	120	140	8	120	160	550	45	27500
C220-4300	220	4300	3700	310	525	510	950	XX	500	750	250	5500	1850	2950	3000	2800	Standart	Optional	150	190	10	130	170	290	22	16800
C270-4300	270	4300	3700	310	525	510	950	XX	500	750	250	5500	1850	3020	3020	2800	Standart	Optional	150	180	10	130	170	290	22	18100
C320-4300	320	4300	3700	310	525	510	970	XX	500	750	250	5500	1950	3150	3150	3100	Standart	Optional	150	180	9	130	170	290	30	20500
C220-5100	220	5100	4100	310	525	510	970	XX	500	750	250	6600	1700	3200	3450	2800	Standart	Optional	140	170	10	120	160	290	22	20000
C270-5100	270	5100	4100	310	525	510	970	XX	500	750	250	6600	1800	3200	3450	2850	Standart	Optional	140	170	10	120	150	290	22	22000
C320-5100	320	5100	4100	310	525	510	1000	XX	500	750	250	6600	1900	3300	3500	3100	Standart	Optional	140	160	9	120	150	290	30	25500
C400-5100	400	5100	4100	310	525	510	1050	XX	500	750	250	6600	2000	3350	3500	3200	-	Standart	130	160	8	100	130	410	37	28500
C220-6100	220	6100	5100	310	525	510	1050	xx	500	750	250	7500	1900	3300	3400	3400	Standart	Optional	150	180	10	120	150	400	22	25500
C320-6100	320	6100	5100	310	525	510	1100	xx	500	750	250	7500	2000	3400	3500	3500	-	Standart	150	180	9	120	150	400	30	28700
C400-6100	400	6100	5100	310	525	510	1150	xx	500	750	250	7500	2200	3650	3750	3700	-	Standart	120	150	8,5	100	130	400	37	37000
C500-6100	500	6100	5100	310	525	510	900	1450	500	750	250	7500	2800	3950	4000	4000	-	Standart	120	150	8	110	130	550	37	45000
C600-6100	600	6100	5100	360	575	600	900	1500	500	750	250	8150	2850	4300	4300	4400	-	Standart	80	-	7	80	-	550	45	55000
C800-6100	800	6100	5100	410	625	600	900	1550	500	750	250	8200	3300	4500	4500	4700	-	Standart	70	-	7	70	-	640	55	72000
C1000-6100	1000	6100	5100	510	725	600	900	1700	500	750	250	8250	3400	4700	5200	5300	-	Standart	65	-	7	70	-	1000	55	95000

Design and Technical specifications are subject to change without notice

Special capacity machines can be manufactured upon request

Model NC

GENERAL SPECIFICATIONS

- Axes: Y, X axes
- Numerical control unit
- Original Hoerbiger or Rexroth Hydraulic Systems with CE norms compatible
- Schneider-Telemecanique electrical components, with ventilations electrical cabinet
- CE norms compatible control panel and foot pedal with
- Movable user friendly ergonomically control panel
- Motorized programmable back gauge
- Front support arms
- X axis back gauge range (stroke) 500mm
- Protect covers at side
- Promecam type top tool clamping system
- Top tools hardened, grinded standard 835mm lengths, 66,6mm (1260)-105mm (1281) (400 ton and over) high
- Bottom tools hardened, grinded standard 835 mm lengths, 60x60mm, 4 channels 16/22/35/50 mm (2067)
- Narrow table or double sided T slot wide table

CONTROLLER



Touch Screen Controller
Standard



Cybele Touch 8
2D Graphical Touch
Screen 8" Manual Bend
Order Calculations 4 Axes
Optional



Stamping / Bottoming Application



Shearing for cut to length line



Robotic Applications

ALPMAC Model NC	Bending Power	Bending Length	Distance Between Coullumn	Stroke	Daylight	Throat	Table Height	Table Height Bellow Ground	Lenght	Height	Widht	Rapid Approach Spedd	Pressing Speed	Return Speed	Main Motor	Weight Approx.
	ton.	A	B													
NC 90-2600	90	2500	2050	160	350	250	850	xx	3800	2300	1200	80	9	80	7,5	5100
NC120-3100	120	3100	2550	160	360	250	850	xx	4300	2450	1250	80	9	80	10	7300
NC160-3100	160	3100	2550	160	360	300	850	xx	4300	2550	1330	80	9	80	15	8300
NC200-3100	200	3100	2550	200	400	300	850	xx	4300	2650	1380	100	10	100	18,5	9500
NC300-3100	300	3100	2550	250	450	300	900	xx	4300	2770	1400	80	8	80	18,5	13000
NC120-3700	120	3700	3050	160	360	300	850	xx	5000	2500	1300	80	9	80	10	8500
NC160-3700	160	3700	3050	160	360	300	850	xx	5000	2750	1350	80	8	80	15	9500
NC300-3700	300	3700	3050	250	450	300	900	xx	5000	2900	1450	80	8	80	18,5	14000
NC120-4100	120	4100	3100	160	360	300	850	xx	5300	2470	1350	80	9	80	10	9700
NC160-4100	160	4100	3100	200	360	300	850	xx	5300	2750	1400	80	9	80	15	11000
NC200-4100	200	4100	3100	200	400	300	900	xx	5300	2820	1450	100	10	100	18,5	12000
NC300-4100	300	4100	3100	250	450	300	900	xx	5300	2900	1550	80	8	80	18,5	15000

Design and Technical specifications are subject to change without notice

Special capacity machines can be manufactured upon request



Special Design Machine

Model M

CUTTING FOR THIN SHEET MATERIAL UP TO THICKNESS OF 4 MM

GENERAL SPECIFICATIONS

- Monoblock rigid frame provide maximum cutting accuracy,
- NC control unit (3mm shears are without NC controller)
- Motorized automatic, digital controlled backgauge 750mm, (3mm shears backgauge are standard manuel 550mm)
- Schneider-Siemens electrical components, with ventilations electrical cabinet
- Mechanical sheet hold down system holds the sheet in place during the cutting process.
- Easy operable blade gap adjustment system by arm
- Roller bearings on the table to help feeding sheets to the machine easily
- 750mm Front support arms with scale
- Foot pedal stand and control unit for single or multi cutting operations
- Category 4 light guards with CE conformity
- Emergency stop button
- Protections cover at side
- Illumination
- Complete electrical switch board and control panel for 400V AC 3 phase 50Hz

OPTIONAL EQUIPMENTS

- Touch screen CNC controller
- NC controller for 3mm shears
- Pneumatic sheet support system and sheet sliding
- Angular gauge, adjustable sliding T slot (0-180 degree) on front
- Longer front support arms
- Back gauge travel 1000 mm - 1250 mm

CONTROLLER



Cybelec Touch 8
Optional



Elgo P40T
Standard (With Motorised Backgauge)



ALPMAC SHEAR MODEL M		M03-1550	M03-2050	M04-1550	M04-2050	M04-2550	M02-3100	M04-3100	
Cutting Capacity	450N/mm2	3	3	4	4	4	2	4	mm.
Cutting Length	A	1550	2050	1550	2050	2550	3080	3080	mm.
Cutting Angle	D	2	1,9	1,5	1,5	1,5	1,5	1,5	degree
Speed Stroke per Minute		40	40	40	40	40	40	40	1/min
Backgauge Stroke		500/750	500/750	750	750	750	750	750	mm.
Table Height	C	780	780	850	850	850	850	850	mm.
Machine Length	L	2300	2650	2600	3100	3500	4000	4000	mm.
Machine Height	H	1200	1250	1450	1450	1450	1450	1450	mm.
Machine Width	W	1450	1700	1800	1800	1800	1800	1800	mm.
Motor Power		4	4	7,5	7,5	7,5	5,5	7,5	Kw.
Weight		1700	1900	2700	3500	4000	4500	4600	Kg

Technical specifications are subject to change without notice

Special capacity machines can be manufactured upon request

Equipments



Angular Adjustable Gauge
Optional



Electrical Cabinet



Pneumatic Sheet Support System
Optional



Rear Protection Light Beams

Model S

**HIGH SPEED CUTTING QUANTITY
TWIN SPEED SYSTEM
FOR MORE PRODUCTIVITY**

GENERAL SPECIFICATIONS

- Developed ALPMAC swing beam shears working 25 cutting stroke per minute.
- Twin speed system, cutting thin sheets, up to 50% faster cutting and efficiency gains achieved with high speed.
- Slow speed working mode provide with precise cutting for thick material.
- High cutting quality with low cutting angle design machine concepts.
- Fixed angle construction feature.
- Automatically blade gap and stroke adjustment by CNC controller according to customer's request.
- Designed heavy-duty rigid body concept in order to prevent deflections.
- Back gauge stroke 1000 mm.
- Rigid back gauge, accuracy performed with linear ball shaft, without backlash guide.
- Programmable back gauge has 0,1 mm positioning tolerance and retract features.
- Automatic swing-up feature of backgauge after.
- 1000mm to feed longer sheets easily.

CONTROLLER



Elgo P40T
Standard



Delem DAC-310T
Standard



Cybele Touch 8
Optional



Equipments



1000mm Motorized Backgauge

Standard



Blade Gap Adjustment System

Standard



Pneumatic Sheet Support System

Optional



Return to Sender (RTS)

Optional



Automatic Blade Gap Motocut System

Optional



Protection Openable 1000 mm

Standard



Rear Protection Light Beams

Standard



Throat Depth

Standard



CNC Front Arms

Optional



Conveyor and Stacker System

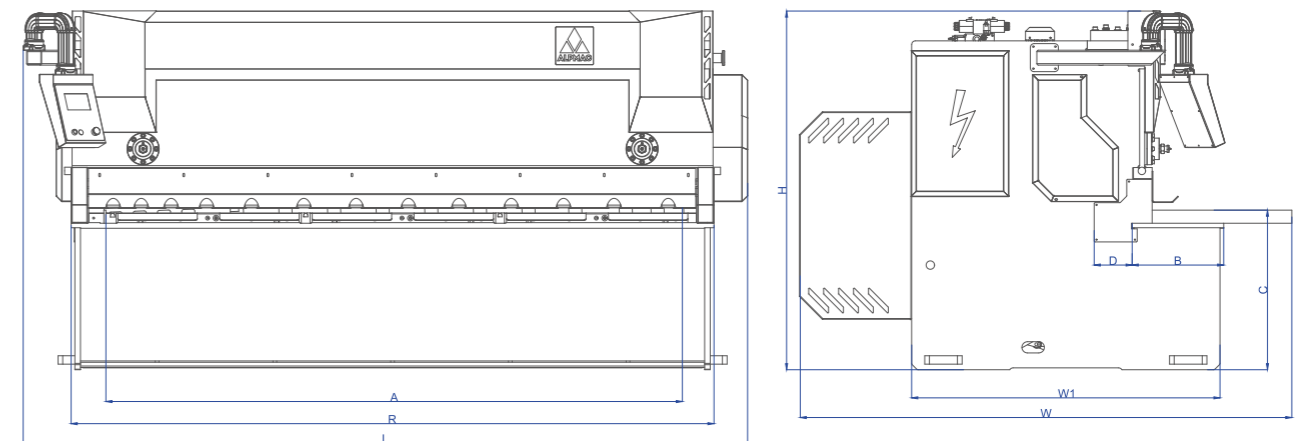
Optional

Model S STANDARD CONFIGURATIONS

- CNC touch screen controller
- Adjustable easily blade gap setting system for precise cutting and long life blade's
- Turn able movable controller arm
- Table with roller bearing to help feeding sheets to the machine easy operations and prevents scratching of the sheet
- Monoblock, heavy steel frame using rigid structural steel produced with modern manufactured methods
- Motorized back gauge CNC controlled 1000 mm stroke with ball shaft and guide system.
- CNC programmable back gauge features, with retract features for longer sheets
- Sheet hold down system, hydraulic holds the sheet in place during the cutting process.
- Alpmac hydraulic cylinders, processed as precise from solid full material and made honed in Alpmac facilities.
- Alpmac hydraulic pistons, processed from forged steel, hardened, grinding is done, and chrome-coated.
- Manually operations blade gap adjustment system
- Adjustable bottom blade holder
- Twin speed machine concept
- Front finger protection open able 1000 mm
- Short stroke working mode on the controller by CNC, stroke number for short cutting efficiency
- High quality alloy material bottom and upper blade for long life
- Upper blade 2 edges bottom blade 4 edges,
- Free maintenance dry ball joint system for eccentric system driven
- Hoerbiger or Bosch Rexroth low maintenance hydraulic block
- Schneider- Siemens etc. electrical components, with ventilations electrical cabinet
- Stand type foot pedal suitable for serial cutting operation and setting blade adjustment
- Front support arms 1000mm, with scale and flip over stops in T slot
- Protection covers for back and side
- Category 4 CE conformity rear light guard
- Cutting line with shadow, illuminations
- Oil tank level indicator
- Complete electrical switch board and control panel for 400V AC 3 phase 50Hz

OPTIONAL EQUIPMENTS

- MotoCut© (bladegap, stroke) OPTIONS automatically stroke, blade gap adjustment driven motorized by CNC
- Pneumatic sheet support system
- Angular adjustable gauge for cutting angle parts 0-180°
- Front finger protection open able 1000 mm
- Special throat 500mm
- Finger protection for front with light guard Category 4 with CE conformity
- Special blade for kind of cutting material stainless steel
- Longer front support arms
- 220-240V 60hz operating voltage
- 440-480V 60hz operating voltage
- 220-240V 60Hz and 440V-480V 60 Hz double operating voltage (by preliminary preparation)



ALPMAC SHEAR MODEL S		S06-2100	S06-3100	S10-3100	S13-3100	S16-3100	S06-4100	S10-4100	S13-4100	S16-4100	S20-4100	
Cutting Capacity (420N/mm ²)		6	6	10	13	16	6	10	13	16	20	mm.
Cutting Capacity (700N/mm ²)		4	4	6	8	10	4	6	8	10	13	mm.
Cutting Length	A	2080	3080	3080	3080	3080	4080	4080	4080	4080	4080	mm.
Cutting Angle	DEGREE	1,5	1,5	2	2,1	2,2	1,5	1,5	1,8	2	2	degree
Hold Down Cylinder		9	12	14	14	17	18	17	17	18	18	Unit
Speed Stroke per minute / High Speed		19/28	17/22	13/19	10/13	6/9	12/18	10/16	9/14	5/17	4/14	1/min
Table Length	R	2330	3230	3240	3240	3290	4230	4240	4320	4375	4390	mm.
Table Height	C	850	855	850	860	850	850	865	915	900	960	mm.
Table Width	B	500	500	600	620	625	600	630	660	680	710	mm.
Throat Depth	D	250	250	250	250	200	250	250	250	150	150	mm.
Backgauge Travel Distance Stroke		1000	1000	1000	1000	1000	1000	1000	1000	1000	1000	mm.
Machine Length	L	3300	4300	4350	4400	4450	5340	5370	5450	5480	5700	mm.
Machine Height	H	1850	1850	2200	2400	2400	2150	2380	2400	2420	2850	mm.
Machine Width	W	2620	2600	3100	3150	3250	2900	3000	3000	3100	3150	mm.
Machine Width (W1)	W1	1800	1800	2000	2000	2200	2000	2100	2200	2300	2300	mm.
Oil tank capacity		160	160	230	230	315	220	280	370	370	370	lt.
Motor Power		11	11	22	22	30	11	22	30	30	45	Kw.
Weight Approx.		5	6	9	11	16,5	10,2	16,5	19	23	27	Ton

Technical specifications are subject to change without notice

Special capacity machines can be manufactured upon request

GENERAL SPECIFICATIONS

- CNC controller Elgo P40 Touch or Cybelec Touch 6
- Turnable moveble controller arm
- Table with roller bearing to help feeding sheets to the machine easy operations and prevents scratching of the sheet
- Monoblock, heavy steel frame using rigid structural steel produced with modern manufactured methods
- Automatic, CNC controlled motorized back gauge 1000 mm range (stroke) with ball shaft and guide system.
- CNC programmable back gauge features, with retract and swing up features for longer sheets
- Sheet hold down system, hydraulic holds the sheet in place during the cutting process.
- ALPMAC hydraulic cylinders, processed as precise from solid full material and made honed in ALPMAC facilities.
- ALPMAC hydraulic pistons, processed from forged steel, hardened, grinding is done, and chrome-coated.
- CNC controller automatic cutting angle adjustment operation
- CNC controller automatic blade gap adjustment operation
- CNC controller automatic stroke adjustment operation
- Front finger protection open able 1000 mm
- Adjustable bottom blade holder provide high precise robust set for long life blade
- Short stroke working mode on the control panel for increase stroke number for short cutting efficiency
- High quality alloy material bottom and upper blade for long life
- Bottom blade 4 edges, upper blade 2 edges
- Hoerbiger or Bosch Rexroth low maintenance hydraulic block
- Schneider-Siemens electrical components, with ventilations electrical cabinet
- Stand type foot pedal suitable for serial cutting operation and setting blade adjustment
- Front support arms 1000mm, with scale and flip over stops in T slot
- Protection covers for back and side
- Category 4 CE conformity rear light guard
- cutting line with shadow, illuminations
- Oil tank level indicator
- Complete electrical switch board and control panel for 400V AC 3 phase 50Hz

CONTROLLER



Elgo P40T
Standard

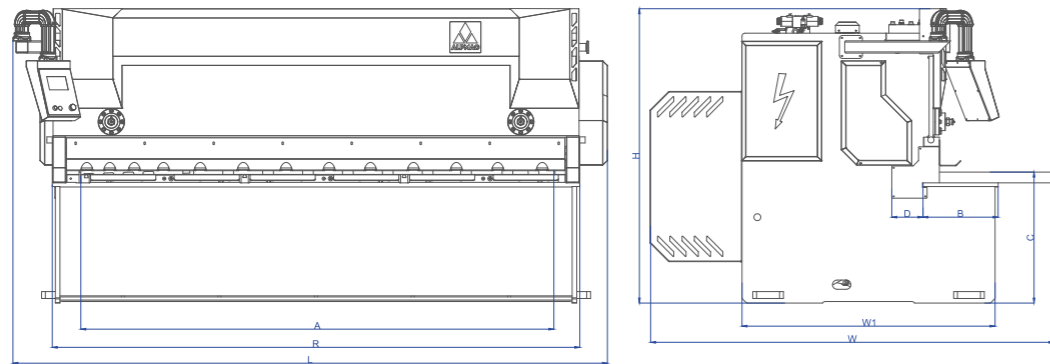


Cybelec Touch 8
Optional



Model V STANDARD CONFIGURATIONS

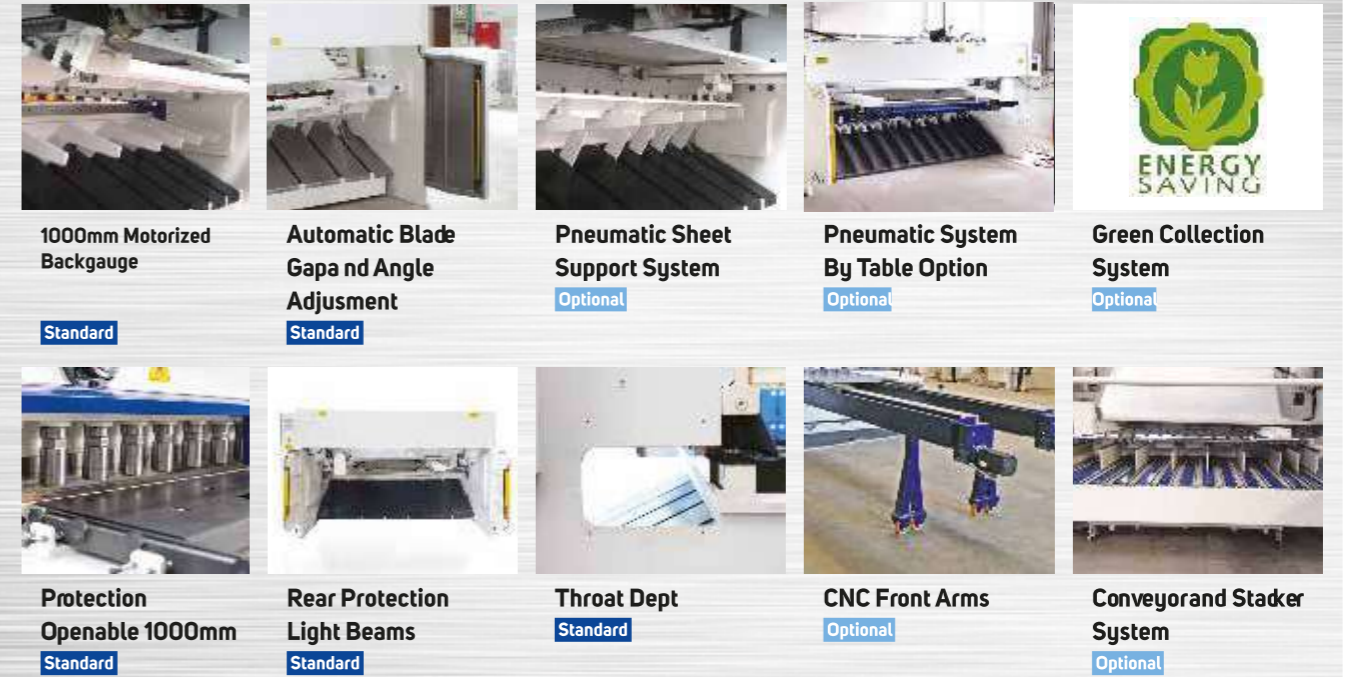
- CNC controller Elgo P40 Touch or Cybelec Touch 8
- Turnable moveble controller arm
- Table with roller bearing to help feeding sheets to the machine easy operations and prevents scratching of the sheet
- Monoblock, heavy steel frame using rigid structural steel produced with modern manufactured methods
- Automatic, CNC controlled motorized back gauge 1000 mm range (stroke) with ball shaft and guide system.
- CNC programmable back gauge features, with retract features for longer sheets
- Sheet hold down system, hydraulic holds the sheet in place during the cutting process.
- ALPMAC hydraulic cylinders, processed as precise from solid full material and made honed in ALPMAC facilities.
- ALPMAC hydraulic pistons, processed from forged steel, hardened, grinding is done, and chrome-coated.
- CNC controller servo valve driven automatic cutting angle adjustment operation
- CNC controller driven automatic blade gap adjustment operation
- CNC controller automatic stroke adjustment operation
- Front finger protection open able 1000 mm
- Adjustable bottom blade holder provide high precise robust set for long life blade
- High quality alloy material bottom and upper blade for long life
- Bottom blade 4 edges, upper blade 2 edges
- Hoerbiger or Bosch Rexroth low maintenance hydraulic block
- Schneider- Siemens etc. electrical components, with ventilations electrical cabinet
- Stand type foot pedal suitable for serial cutting operation and setting blade adjustment
- Front support arms 1000mm, with scale and flip over stops in T slot
- Protection covers for back and side
- Category 4 CE conformity rear light guard
- Cutting line with shadow, illuminations
- Oil tank level indicator
- Complete electrical switch board and control panel for 400V AC 3 phase 50Hz



OPTIONAL EQUIPMENTS

- Pneumatic sheet support systems
- Front finger protection open able full length
- Angular adjustable gauge for cutting angle parts 0-180°
- Longer front support arms
- Special throat 500mm
- Finger protection for front light guard category 4 with CE conformity
- Special blade for kind of cutting material stainless steel
- 220-240V 60hz operating voltage
- 440-480V 60hz operating voltage
- 220-240V 60Hz and 440V-480V 60 Hz double operating voltage (by preliminary preparation)

Equipments



ALPMAC SHEAR MODEL V		V06-2100	V06-3100	V10-3100	V13-3100	V16-3100	V20-3100	V06-4100	V10-4100	V13-4100	V16-4100	V20-4100	V06-6100	V10-6100	V13-6100	V16-6100	V20-6100	
Cutting Capacity (420N/mm2)		6	6	10	13	16	20	6	10	13	16	20	6	10	13	16	20	mm.
Cutting Capacity (700N/mm2)		4	4	6	8	10	13	4	6	8	10	13	4	6	8	10	13	mm.
Cutting Length	A	2050	3050	3050	3050	3050	3050	4100	4100	4100	4100	4100	6100	6100	6100	6100	6100	mm.
Cutting Angle	DEGREE	0,5-2	0,5-2	0,5-2	0,5-2,5	0,5-2,5	0,5-2,5	0,5-2	0,5-2	0,5-2,5	0,5-2,5	0,5-2,5	0,5-2	0,5-2	0,5-2,5	0,5-2,5	0,5-2,5	degree
Hold Down Cylinder		11	13	16	16	16	16	20	20	20	20	19	29	29	29	29	29	Unit
Speed Stroke per minute (min.-max.)		14-24	12-20	10-19	9-17	7-12	5-12	10-19	8-17	7-13	5-9	4-8	6-10	6-10	5-10	4-10	3-6	1/min
Table Length	R	2300	3300	3380	3380	3400	3450	4400	4400	4400	4430	4430	6400	6400	6400	6400	6600	mm.
Table Height	C	830	830	830	830	850	850	830	850	850	950	950	900	950	1000	1000	1000	mm.
Table Width	B	500	500	550	560	560	580	500	550	580	650	650	630	670	670	680	750	mm.
Throat Depth	D	150	150	150	150	150	150	150	150	150	150	150	150	150	150	150	150	mm.
Backgauge Travel Distance Stroke		1000	1000	1000	1000	1000	1000	1000	1000	1000	1000	1000	1000	1000	1000	1000	1000	mm.
Machine Length	L	3100	4100	4150	4150	4150	4150	5150	5250	5350	5550	5700	7500	7500	7500	7500	8000	mm.
Machine Height	H	1900	1900	2100	2450	2500	2700	2200	2350	2530	2700	2850	3120	3120	3150	3200	3310	mm.
Machine Width	W	3650	3650	3600	3600	3800	3800	3600	3600	3700	3700	3800	3600	3700	3700	3800	3900	mm.
Machine Width (W1)	W1	2100	2100	2100	2200	2200	2350	2150	2200	2200	2200	2200	2200	2200	2200	2200	2800	mm.
Oil tank capacity		140	140	200	250	315	400	140	200	350	400	500	200	400	400	500	650	lt.
Motor Power		11	11	22	30	37	45	11	22	30	37	45	22	30	37	45	45	Kw.
Weight Approx.		6	7,8	9,6	11,5	18,5	21	11,2	15	17	22	28	24	28,3	33	40	55	Ton

Technical specifications are subject to change without notice
Special capacity machines can be manufactured upon request



www.alpmac.com

**ALPMAC TAKIM TEZGAHLARI
MAKINE SAN. ve TIC. A.S.**

Kayapa Mah. Beyaz Cad. No 15,
16315 Nilüfer-BURSA

Tel : +90 224 249 19 49

E-mail : info@alpmac.com



[linkedin.com](https://www.linkedin.com)



[youtube.com](https://www.youtube.com)